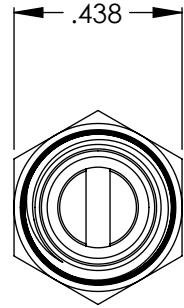
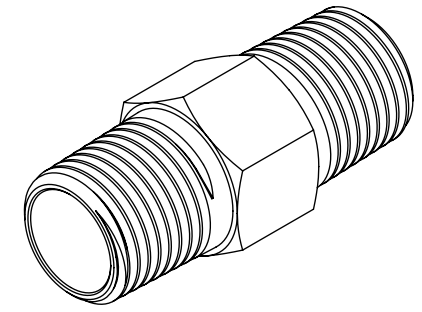


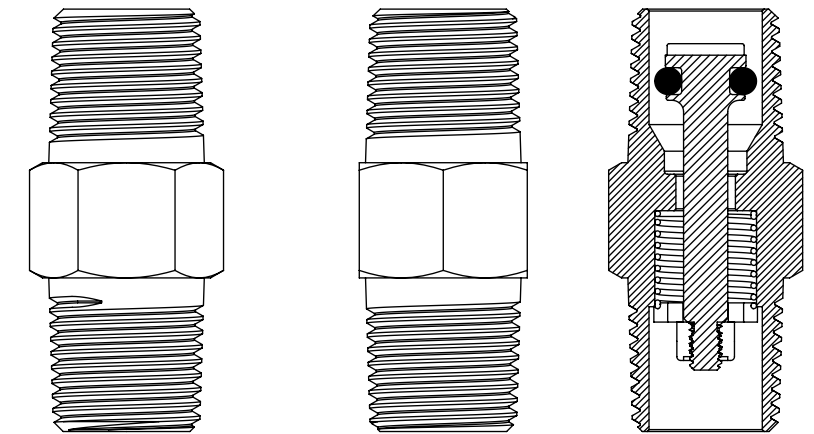
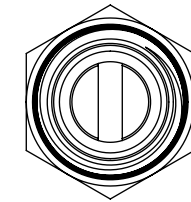
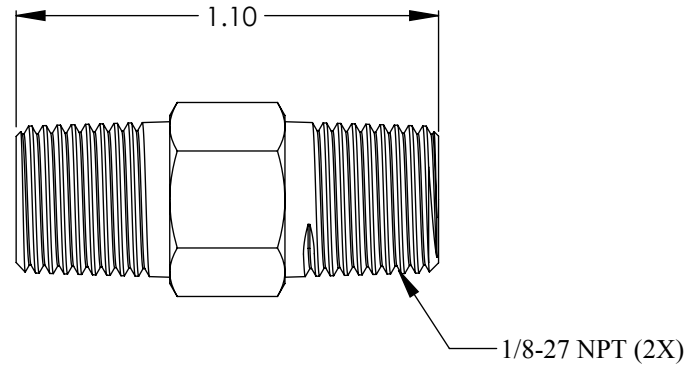
Ordering Code: H62XX-X-XXX-XX
 Example: H6203-2-2MM-1

| Series | O-ring | Material | Connection |
|--------|-------------------------|-------------|---------------------------------------|
| H6200 | 03 - Viton | 2 - Brass | 1MM - 1/8" Male NPT x 1/8" Male NPT |
| | 13 - Buna | 5 - 303 SST | 1MP - 1/8" Male NPT x 1/8" Female NPT |
| | 24 - Silicone | | 2MM - 1/4" Male NPT x 1/4" Male NPT |
| | 32 - Ethylene Propylene | | 2MP - 1/4" Male NPT x 1/4" Female NPT |
| | | | 3MM - 3/8" Male NPT x 3/8" Male NPT |
| | | | 4MP - 1/2" Male NPT x 1/2" Female NPT |

Crack Pressure
 (Vary per Configuration)



H6200 Series - 1MM



↑
Flow

Body Material: 303 SST, Brass
O-ring Material: Buna-N, Ethylene Propylene, Viton, Silicone
Spring Material: 302 SST - Any other spring materials consult factory
Operating Pressure: Vacuum to 800 psig (55.15 bar)
Proof Pressure: 1200 psig (82.73 bar)
Cracking Pressure: 1 to 20 psig (.068 bar to 1.37 bar) - Any crack pressure above or below standard crack pressure range consult factory
Cracking Pressure Tolerance: < 2 psig (.14 bar): +/- 10% , 2 to 20 psig (.14 - 10.3 bar): +/- 5%
Temperature Range: -40°F to +400°F (-40°C to +204°C) - Based on o-ring and body material
Connection Sizes: (1/8" NPT to 1/2" NPT)*

* Standard connections sizes; Consult factory for availability of other connection sizes

Note: 1. Proper filtration is recommended to prevent damage to the o-ring or sealing surface
 2. Valve may be assembled with o-rings lubricated with Krytox grease

| | | |
|--|---------------|-----------------|
| VALVE CHECK | | |
| H6200 Series Inline Check Valve - 1MM | | |
| SIZE B | Sales Drawing | REV A |