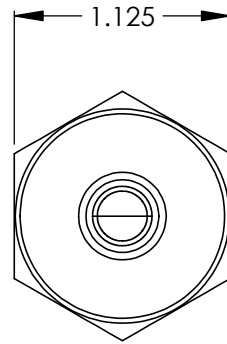
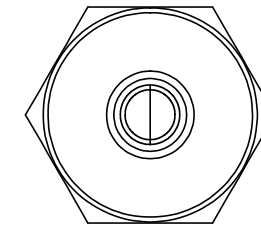
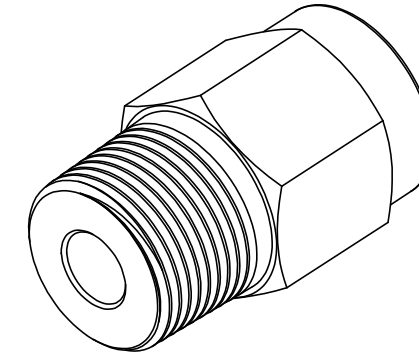


Ordering Code: LR31XX-X-X-XX-XXX

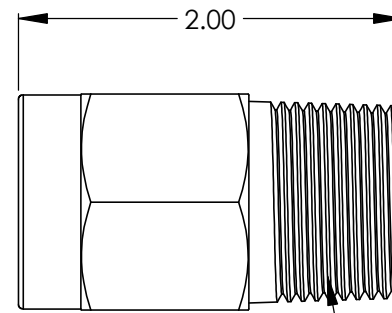
Example: LR3113-2-N-6M-10

Description: LR3100 Series Relief Valve, Buna Seal, Brass Body, Internal Poly Poppet, 3/4" Male NPT x Vent, 10 PSI open

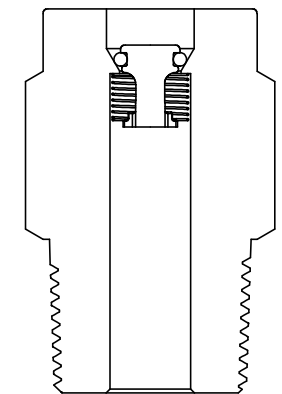
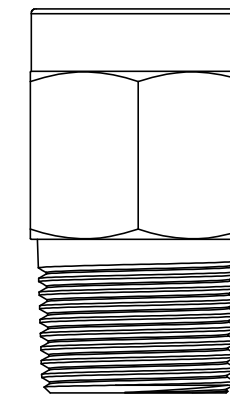
<u>Series</u>	<u>O-ring</u>	<u>Body Material</u>	<u>Poppet Material</u>	<u>Connection</u>	<u>Crack Pressure</u>
LR3100	13 - Buna	2 - Brass 5 - 303 SST	N - Nylon P - PolyPro	1M - 1/8" Male NPT x Vent 2M - 1/4" Male NPT x Vent 3M - 3/8" Male NPT x Vent 4M - 1/2" Male NPT x Vent 6M - 3/4" Male NPT x Vent 4ST - 7/16 - 20 Male SAE x Vent	.11-20 psi



LR3100 Series - 6M



3/4-14 NPT



↑  
Flow

**Body Material:** Brass, 303 SST

**Poppet Material:** PolyPro, Nylon

**O-ring Material:** Buna-N

**Spring Material:** 302 SST - Any other spring materials consult factory

**Operating Pressure:** Vacuum to 60 psig (4.137 bar)

**Cracking Pressure:** .11 to 20 psig (.0076 bar to 1.379 bar) - Any crack pressure above or below standard crack pressure range consult factory

**Connection Sizes:** (1/8" MNPT to 3/4" MNPT), (4 SAE)



Note: Proper filtration is recommended to prevent damage to the o-ring or sealing surface

<b>VALVE CHECK</b>		
<b>LR3100 Series Relief Valve</b>		
SIZE <b>B</b>	Sales Drawing	REV <b>A</b>